

PoGo

School table

Design — Iiro Viljanen



The PoGo school table is a versatile, row-connectable and stackable table ideal for varying needs in learning environment. It's sturdy, but light enough to be easy to move. Bag hooks at both ends of the top and rounded corners improve user comfort and safety. The table is also available in a size suitable for two students.

The PoGo school desk is available in chipboard or plywood with a choice of colours and laminates. The colour of the base can be customised with shades from Martela's Inspiring Colours range.



Möbelfakta

MATERIAL DESCRIPTION:

Table top: white, grey, oak or colour laminates, matt laminates, linoleums

Base: epoxy-lacquered steel in white, black or Inspiring Colours

STACKABILITY:

On floor max 4 pcs

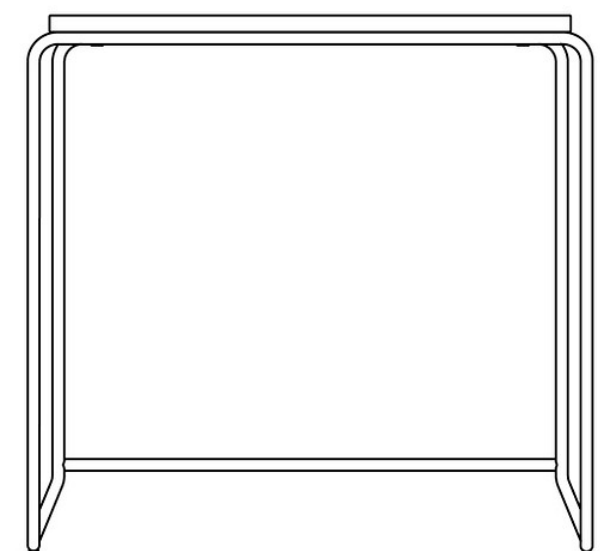
FEATURES:

- Rounded corners on table tops
- Bag hook on both sides
- Row connectable
- Stackable

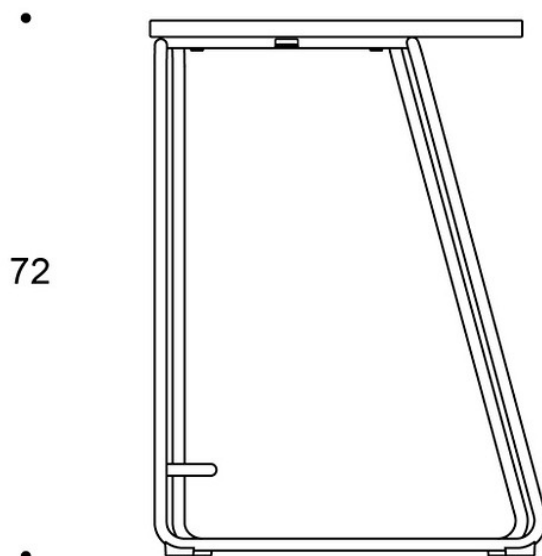
CARBON FOOTPRINT:

PoGo, 70x50: 19,16 kg CO₂e

Dimensional drawing:

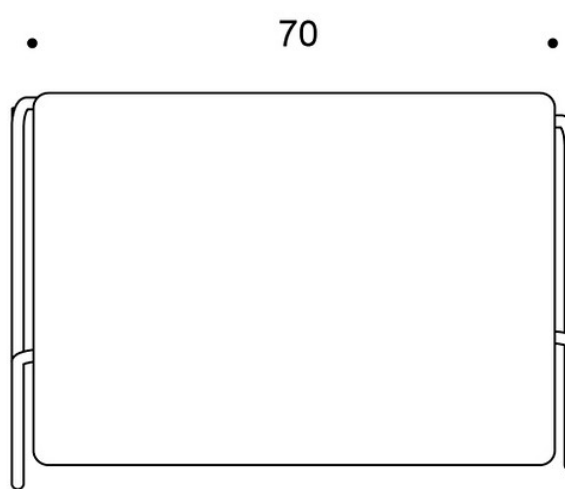


76



72

53



70

50